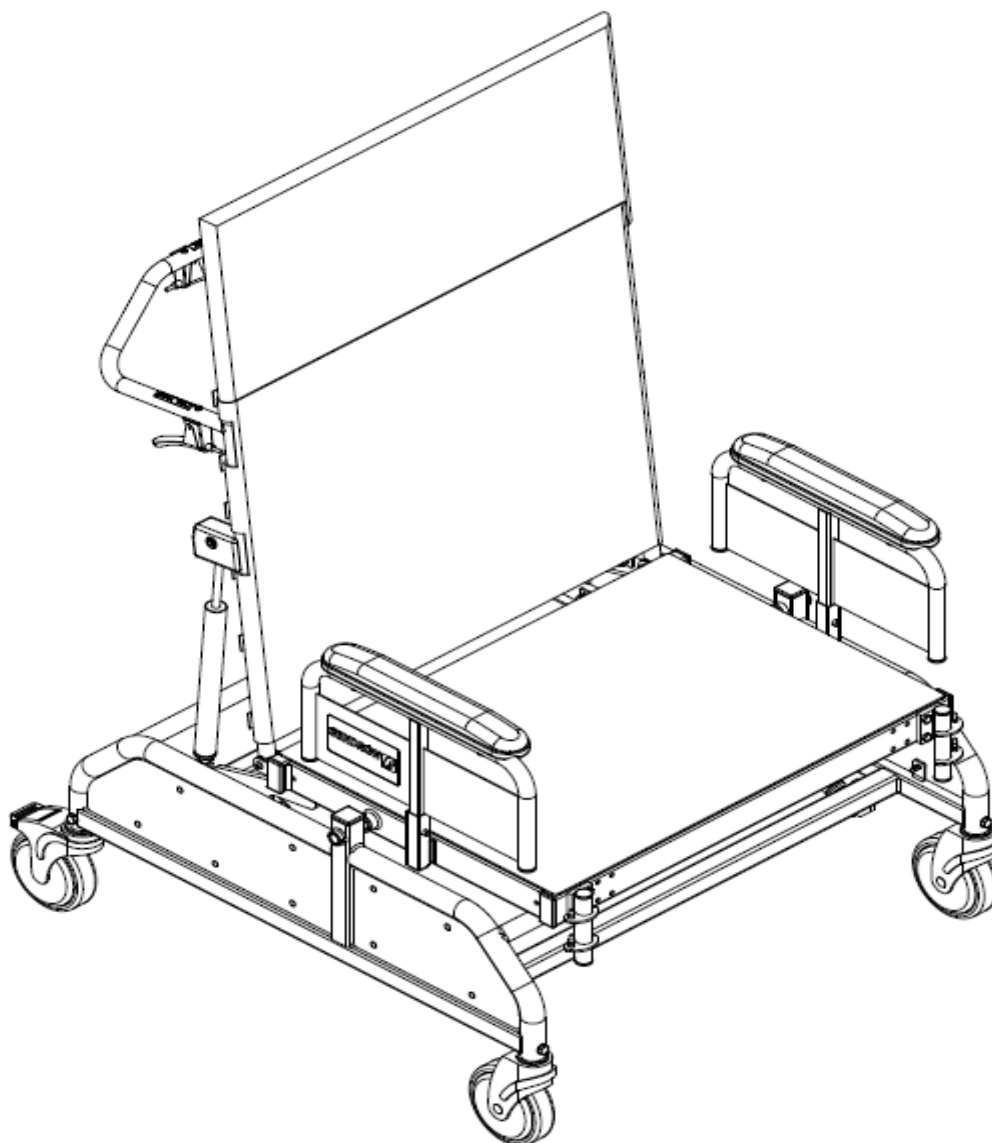

OWNER'S MANUAL

TILT RECLINER

CHAIR Model 750-TRC

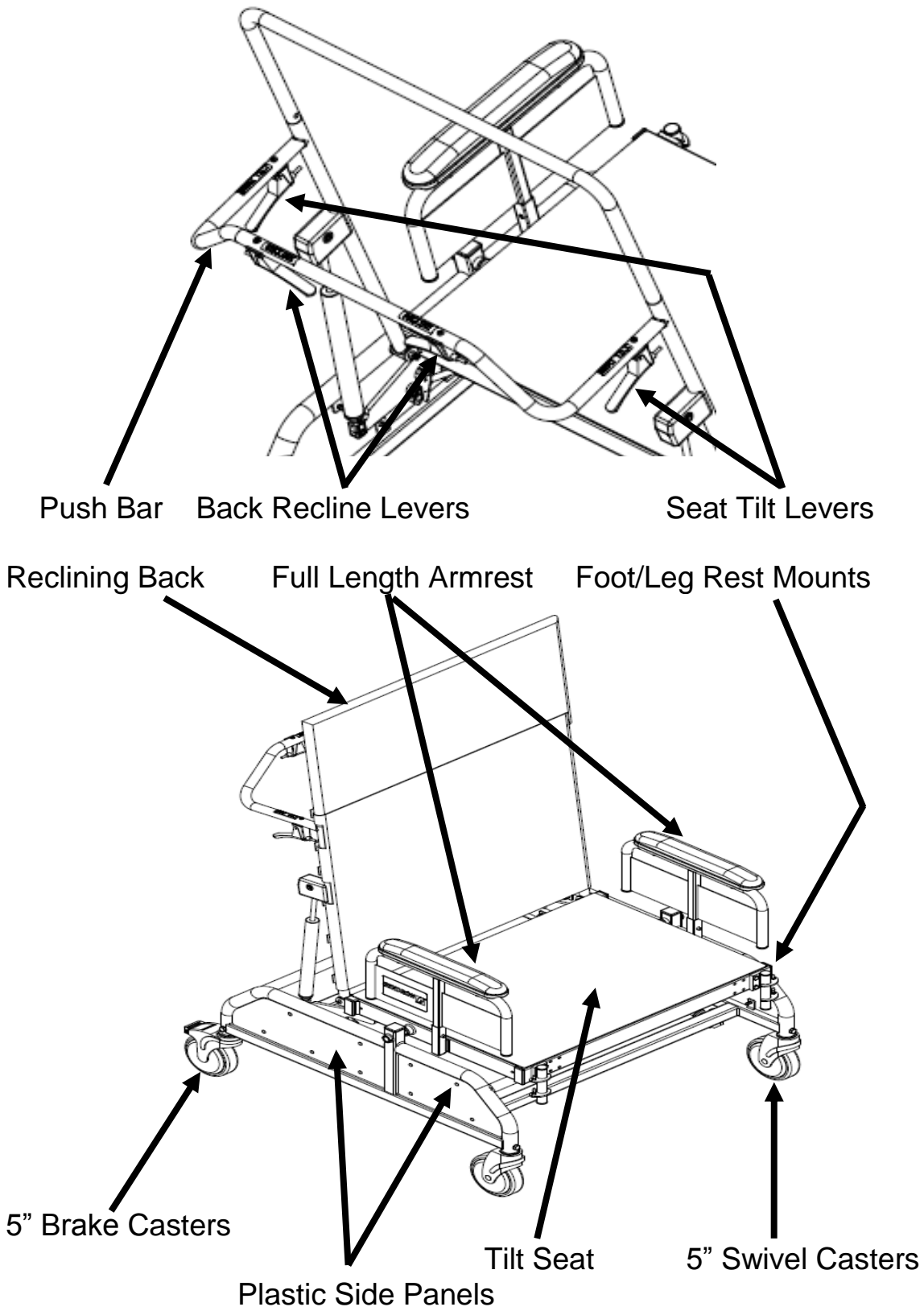


ConvaQuip Ind., Inc. Inc.
500 County Road 239
Abilene, TX 79601
www.convaquip.com

Table of Contents

Parts Locator	3
Safety Notes	4
Recliner Chair Positions	5
Recliner Chair Options	9
Function & Basic Operation	11
Chair Maintenance & Safety Inspection	13
Specifications	15
Warranty	16















Parts Locator



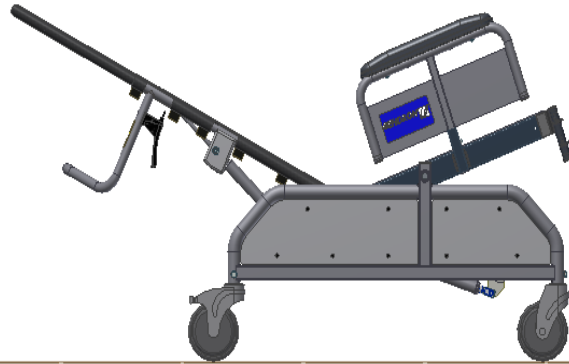
Safety Notes



Failure to observe these safety precautions may result in personal injury or mechanical failure. Read all instructions before using tilt recliner chair.

-  Gendron does not endorse transportation of the user in a moving vehicle, while seated in the tilt recliner chair, nor do we approve of any tie-down system employed for such purposes.
-  Do not tilt the recliner chair back when occupied, as this may cause serious injury to tilt recliner user and/or caregiver (can use back recline).
-  Do not attempt to go up or down stairs in tilt recliner chair.
-  Do not ride over curbs or obstacles, as this may cause the tilt recliner chair to become unstable and cause bodily harm to the user and/or caregiver. In addition, this could damage the tilt recliner chair. **Always use curb cuts.**
-  Do not use the tilt recliner chair on a slope grade steeper than 10%. *(10% slope grade means one foot in elevation for every ten feet in length.)*
-  Do not park the tilt recliner chair on an incline.
-  Do not operate the tilt recliner chair on slippery surfaces.
-  Do not lift the tilt recliner chair by any removable parts such as armrests and footrests. Lifting the tilt recliner by these parts, whether occupied or not, may damage the tilt recliner chair.
-  Do not stand on footrests. Always fold up footrests when entering and exiting the tilt recliner chair.
-  Do not move forward in seat to reach for objects. Do not pick objects up from the floor by reaching down between your knees.
-  Do not lean over the top of the back upholstery.
-  When operating the seat tilt of the tilt recliner chair do NOT grab the seat frame with fingers underneath. This could pinch fingers between seat frame and the side frame tubes.
-  Do not enter or exit the tilt recliner without both rear wheel brakes locked.
-  Do not place hands in corners of tilt recliner when entering or exiting. Use the arm rests.

Seat Tilt @ +20 degrees, Back not reclined

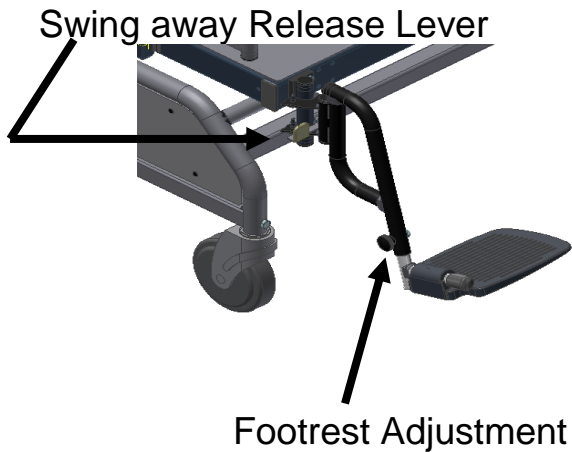


Seat Tilt @ +20 degrees, Back reclined

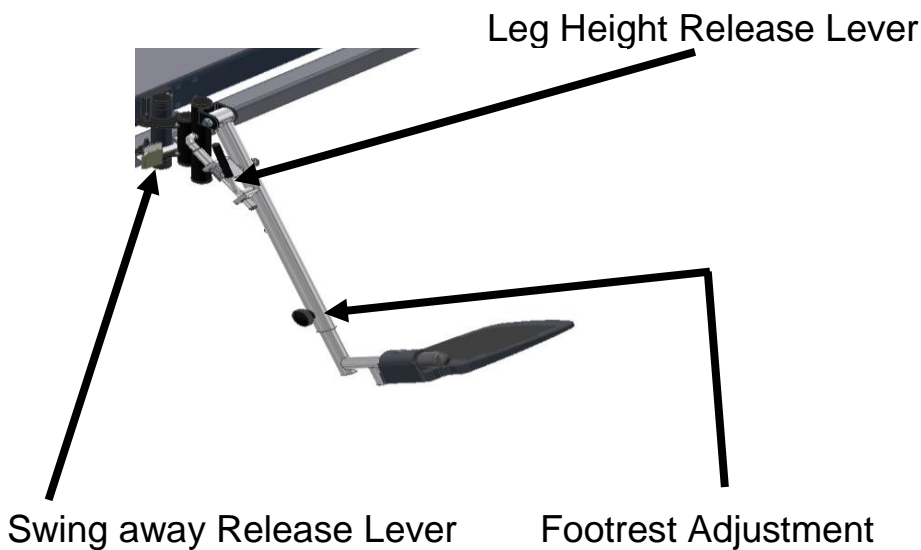
Positioning Chair Options

Footrests – All footrests are length adjustable. A simple thru-bolt provides quick easy adjustments.

Swing Away Footrests- On tilt recliner chair equipped with swing away footrests, activate the black swing away release lever and the assembly will swing to the side. This feature permits easy entrance into and exit out of the chair.



Swing Away Footrest



Swing Away Elevating Footrest

Head Rest Positioner

**Seat Cushion (HD Foam)
or
Seat Cushion (Gel Pak)**



Full-width leg support pad

Full-width foot board

Function & Basic Operation

Armrests - Cushioned armrests are designed to be comfortable and durable. To maintain appearance and comfort, replace the armrest if they become cracked, worn, or discolored. To remove the armrest, push in the spring button and pull armrest out of the socket.



Spring Button to Release Armrest

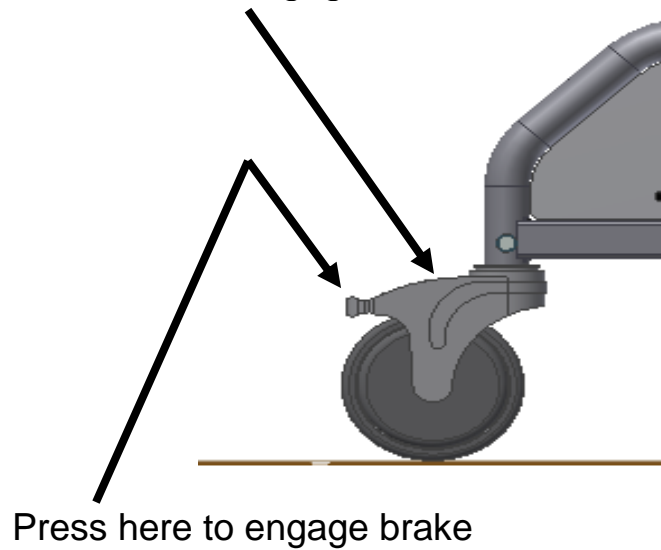
Reclining Back – These chairs should not be used without the headrest installed.

Headrest



Brake Caster (Rear Only)

Depress here to disengage brake



CHAIR MAINTENANCE AND SAFETY INSPECTION

Caster Wheels- Periodically examine the wheels for damage and the tires for wear. Damaged wheels are unsafe and should be replaced immediately. Worn tires will make the tilt recliner chair difficult to move. **Gendron recommends replacing both front and both rear wheels to prevent the chair pulling to one side.**

5" Casters- each Caster is secured with an axle bolt and locknut. Brake casters are on the rear and swivel casters on the front

Lubrication- Periodically, lubricate all pivot and wear points on your tilt recliner chair with an approved silicone spray.

Cleaning and Polishing- Clean upholstery, vinyl components, wheels and tires with mild detergent and warm water. Immediately wipe surfaces dry with a clean soft cloth. Metal parts may be cleaned with approved cleansers and/or polished with an approved wax.

Upholstery- Inspect seat and back upholstery for snags, rips, or other damage. Damaged upholstery is unsafe and should be replaced immediately.

Yearly Inspection and Maintenance

Once per Year:

1. Check all of the bolts to be sure that none are loose.
2. Check that all pins are in their locked position and are securely fastened.
3. Check all welds for cracks.
4. Lubricate all pivot points with FDA approved grease or dry Teflon lubricant.
5. Check all cables for any frays, kinks, or deterioration.
6. Check brake and swivel casers for proper operation.

Any discrepancies noted during inspection must be corrected before using the bed.

Specifications

Product name: Tilt Recliner Chair

Model: TRC-750

Dimensions

Patient Weight capacity: 750 pounds

Overall width: 34"

Seat Width: 28"

Seat Depth: 20"

Back Recline: 0 – 35 degrees (+/- 3 degrees)

Seat Tilt: -5 to +20 degrees (+/- 2 degrees)

Caster size: 5" (brake on rear, swivel on front)

Seat height to floor – 17" when seat at +3 degrees

Chair Weight: 110 pounds

Note: All dimensions are approximate

LIMITED WARRANTY

This limited warranty is extended to the original purchaser/user and cannot be transferred.

All Gendron labeled positioning chair products are warranted for one year against defects in material and workmanship.

All positioning chair frames and seat frames currently manufactured by Gendron are warranted against defects in material and workmanship for the production life of the positioning chair and these components.

Defective parts will be repaired or replaced by the company or its appointed agent. The warranty does not cover damage caused by misuse or negligence, nor does it cover defects or damages by use of unauthorized parts or service by an unauthorized person.

This warranty gives you specific legal rights, and you may also have other rights that vary from state to state.

Do not return merchandise without prior authorization. All correspondence relating to this warranty must indicate Model number and Serial number and be addressed to:

GENDRON, INC.
520 W MULBERRY ST SUITE 100
BRYAN, OHIO 43506

NOTICE

FREIGHT DAMAGE -The carrier who delivers merchandise to your door is responsible for loss and damages. Acceptance of the shipment by you is acknowledgment that all articles delivered were in good condition and properly packed. Therefore, all claims for loss or damage must be filed immediately with the freight carrier. Then notify us. We will mark our records accordingly. After settling claim, damaged merchandise will be picked up by the freight carrier and returned.

For assistance, contact Gendron Customer Service at 800-537-2521.

WEIGHT LIMITATION

Tilt Recliner Chair - Max Capacity 750 Pounds

27217

TRC-750 Owners Manual Rev. 0 9/11/2019