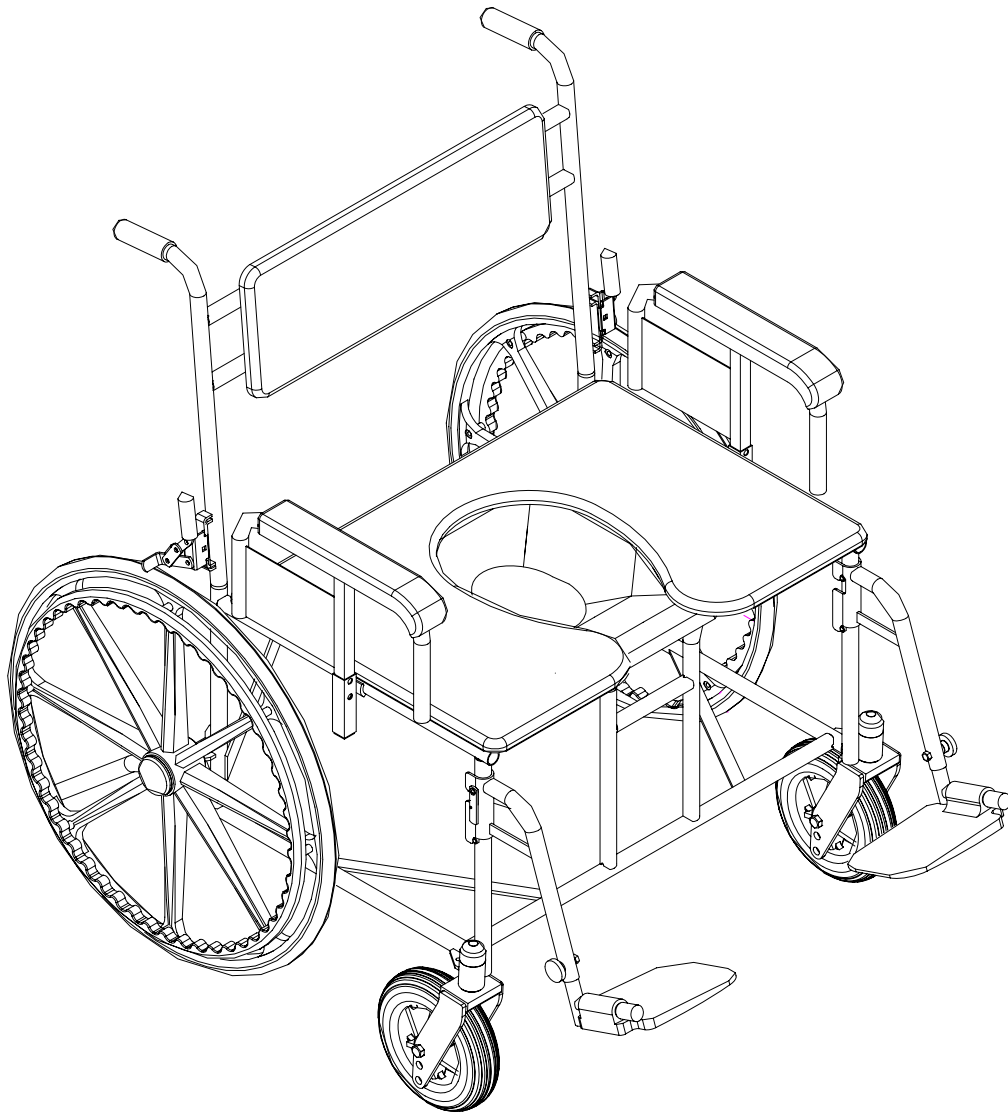


# Owner's Manual

1324P-24, 1326P-24 & 1328P-24



## ***Bariatric Shower/Commode Chair by ConvaQuip***

***Specializing in Bariatric Patient Aids***

P.O. Box 3417 Abilene, TX 79604 U.S.A  
Toll 800/637-8436 \* Fax 325-677-7217

*Thank you for choosing ConvaQuip !*

## **CHAIR MAINTENANCE AND SAFETY INSPECTION**

**“Uni-Mold” Mag Composite Wheels-** Our exclusive wheel design is high strength, low maintenance, and lightweight. One piece molded construction guarantees superior rollability and performance. Outlasts conventional tires by up to three times. Periodically examine tires for wear. Worn tires will make your wheelchair difficult to propel. Both wheels should be replaced at the same time to prevent chair from pulling to one side

**8” Casters-** Wheel is secured to the caster fork by an axle bolt and nut. To adjust, rotate bolt and lock with nut. Wheel should be snug but free spinning. If the caster flutters, remove the caster cap. Adjust the lock nut located under the caster cap. Take-up all play. Back-off about ¼ turn. Replace caster cap.

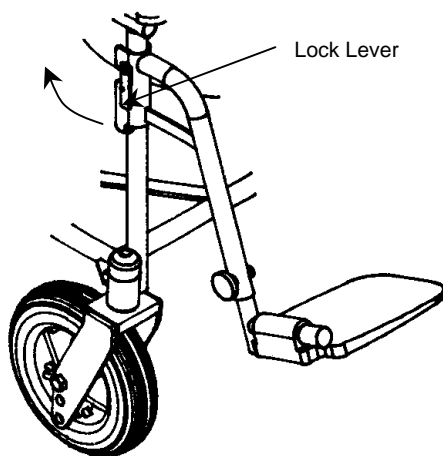
**24” Wheels-** Adjust loose or wobbly wheels. First remove hub cap. Remove all dirt and lint from outside of bearings. Loosen axle locknut. Tighten axle bolt until all wobble is eliminated. Back off about 1/4 turn. Retighten locknut. Tilt the wheel chair to one side and spin the wheel. If it stops abruptly, it is too tight. Readjust the axle bolt. Replace hub cap.

**Seat and Back-** Only premium grade polypropylene is used. Replace immediately if material is cracked or mounting holes are stripped. To ensure uniform appearance, both seat and back should be replaced together.

**Cleaning and Polishing-** All components may be cleaned with warm water and a mild detergent. Wipe dry immediately with a soft clean cloth.

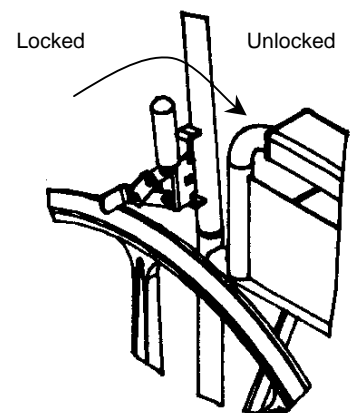
# WARNING!

- ConvaQuip recommends that users not be transported in vehicles while seated in the chair. We do not approve of any tie-down system for transportation of users in any moving vehicle while seated in the chair.
- Do not tilt the chair back when occupied. This may cause serious injury to chair user or assistant.
- Do not attempt to go up or down steps.
- Do not ride over curbs or obstacles. This may cause the chair to become unstable and cause bodily harm to you or damage the chair.
- Do not use this chair outdoors.
- Do not use your chair on a slope grade steeper than 10%. (A 10% slope grade means one foot in elevation for every ten feet of slope length.)
- Do not park the chair on an incline.
- Do not lift the chair by any removable parts including armrests and footrests. Lifting the chair by these parts, occupied or not, may damage the chair.
- Do not stand on footrests. When entering and exiting chair always fold up footrests.
- Do not move forward in seat to reach for objects. Do not pick objects up from the floor by reaching down between your knees.
- Do not lean over the top of the chair back.
- Do not change the caster wheel position.
- Wipe the shower chair dry immediately after use.



**Footrests-** Footrests are length adjustable. A simple through bolt provides quick and easy adjustments. To remove footrests rotate lock levers up and lift footrest assembly off.

**Wheel Locks-** As tires wear, adjust locks to prevent 24" wheels from turning when locks are engaged. To adjust, loosen the locknut located on the clamp bracket. Slide the wheel lock on rail to proper position. Retighten the locknut. If wheel locks become worn replace immediately.



## Caution!

ALWAYS ENGAGE WHEEL LOCKS WHEN ENTERING OR EXITING CHAIR.

# LIMITED WARRANTY

This limited warranty is extended to the original purchaser/user and cannot be transferred. The Shower/Commode Chair frame is warranted for 2 years against defects in material and workmanship. All other components are warranted for 1 year against defects in material and workmanship.

Defective parts will be repaired or replaced by the company or its appointed agent. The warranty does not cover damage caused by misuse or negligence, nor does it cover defects or damages by use of unauthorized parts or service by an unauthorized person.

This warranty gives you specific legal rights, and you may also have other rights that vary from state to state.

Do not return merchandise without prior authorization. All correspondence relating to this warranty must indicate Model number and Serial number and be addressed to:

**ConvaQuip Ind., Inc.**  
**P.O. Box 3417**  
**Abilene, TX 79604**

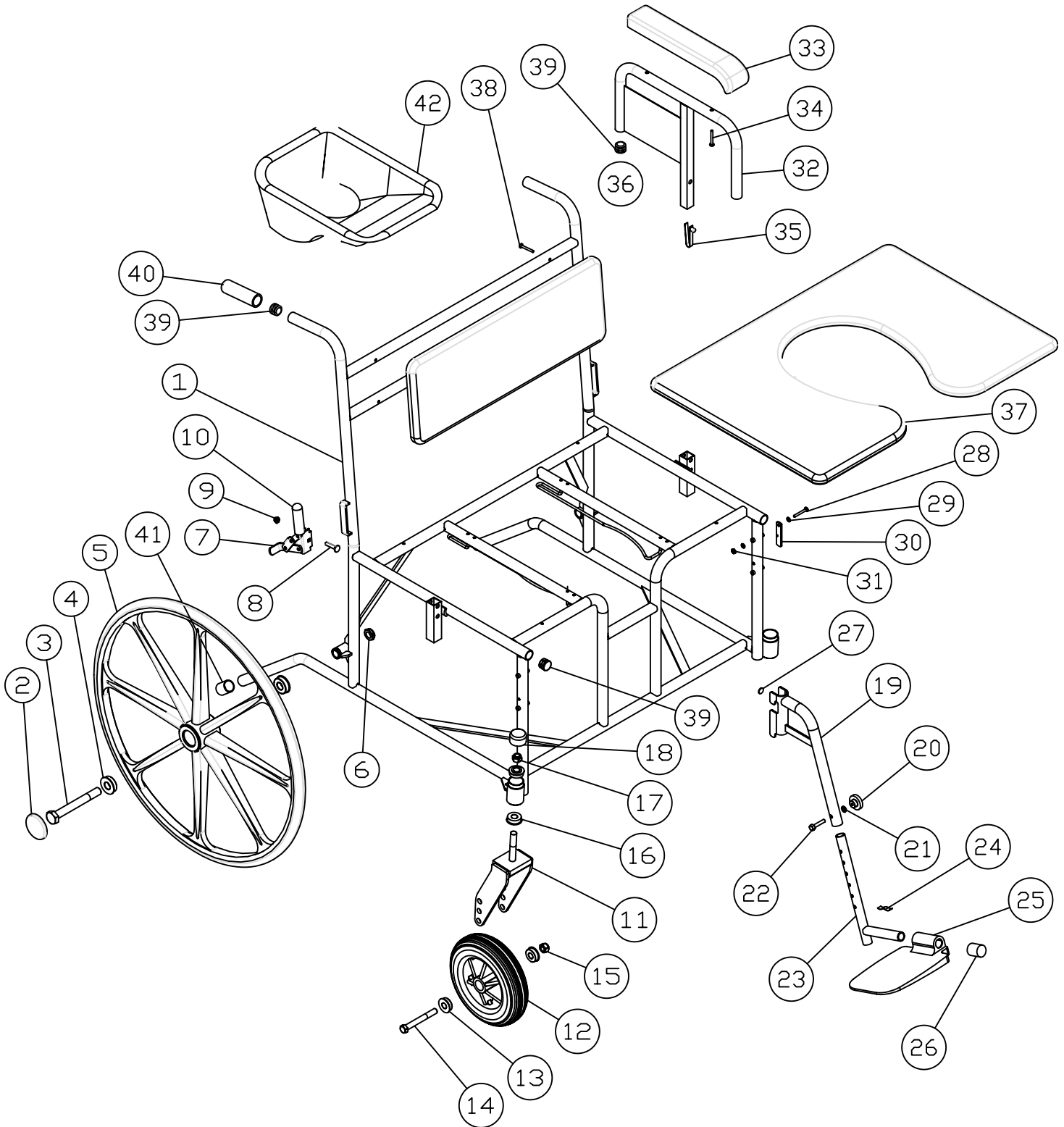
## NOTICE

**FREIGHT DAMAGE** -The carrier who delivers merchandise to your door is responsible for loss and damages. Acceptance of the shipment by you is acknowledgment that all articles delivered were in good condition and properly packed. Therefore, all claims for loss or damage must be filed immediately with the freight carrier. Then notify us. We will mark our records accordingly. After settling claim, damaged merchandise will be picked up by the freight carrier and returned. Should you need assistance with the claim, call our customer service at 800-637-8436

**RETURN GOODS** - Within 60 days from date of purchase returns will be subject to a handling and re-stocking charge plus any additional costs resulting from damage or use. After 60 days from date of purchase: ConvaQuip Inc. reserves the right to not accept return goods for any reason. If accepted, the amount of credit will be at the discretion of ConvaQuip Inc. Returned merchandise without prior authorization will not be accepted.

# BARIATRIC SHOWER/COMMODE CHAIR

MODELS: 1324P-24, 1326P-24 & 1328P-24



## ConvaQuip Ind., Inc.

P.O. Box 3417  
Abilene, TX 79604  
Toll 800-637-8436  
Fax 325-677-7217

